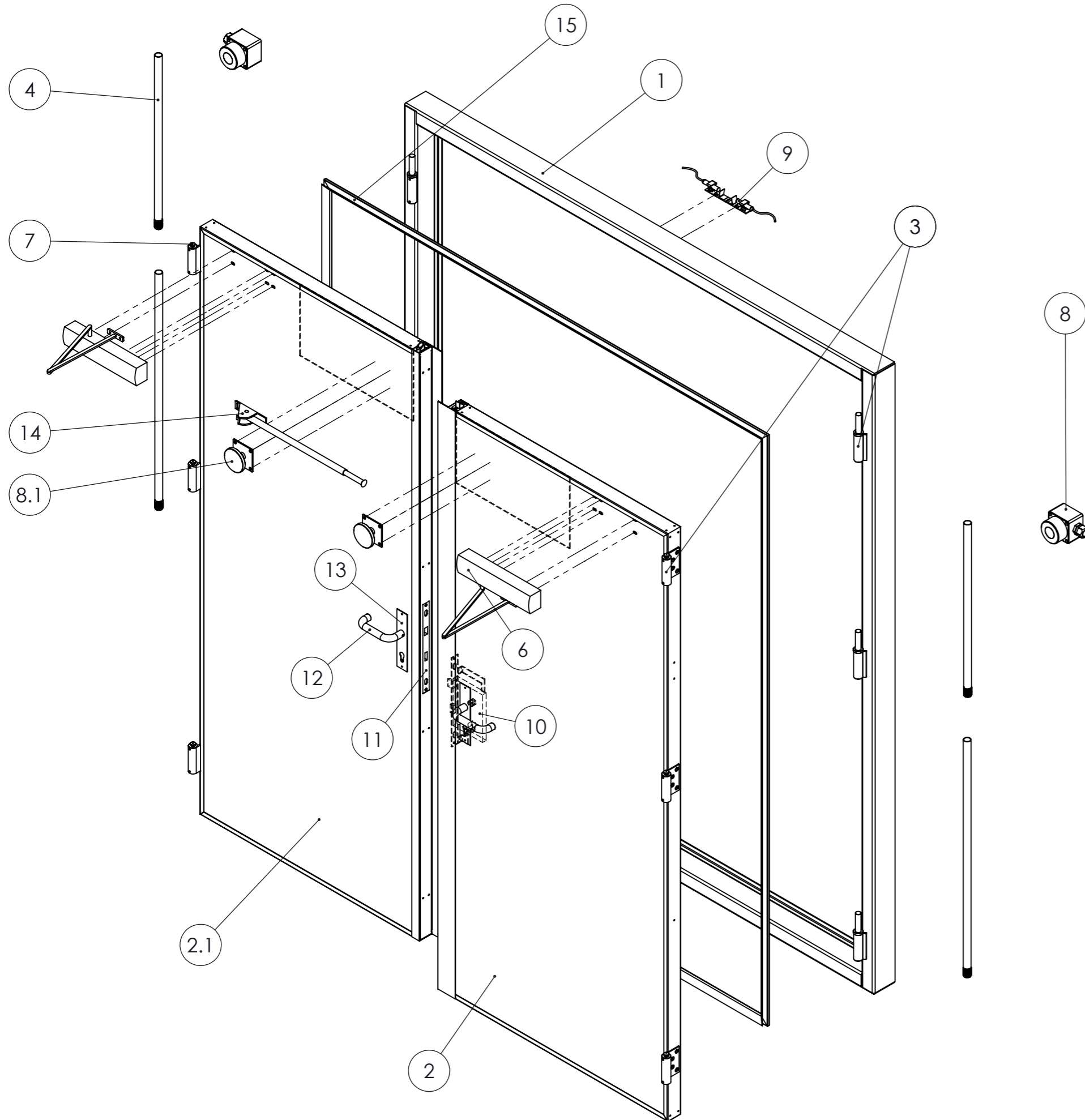
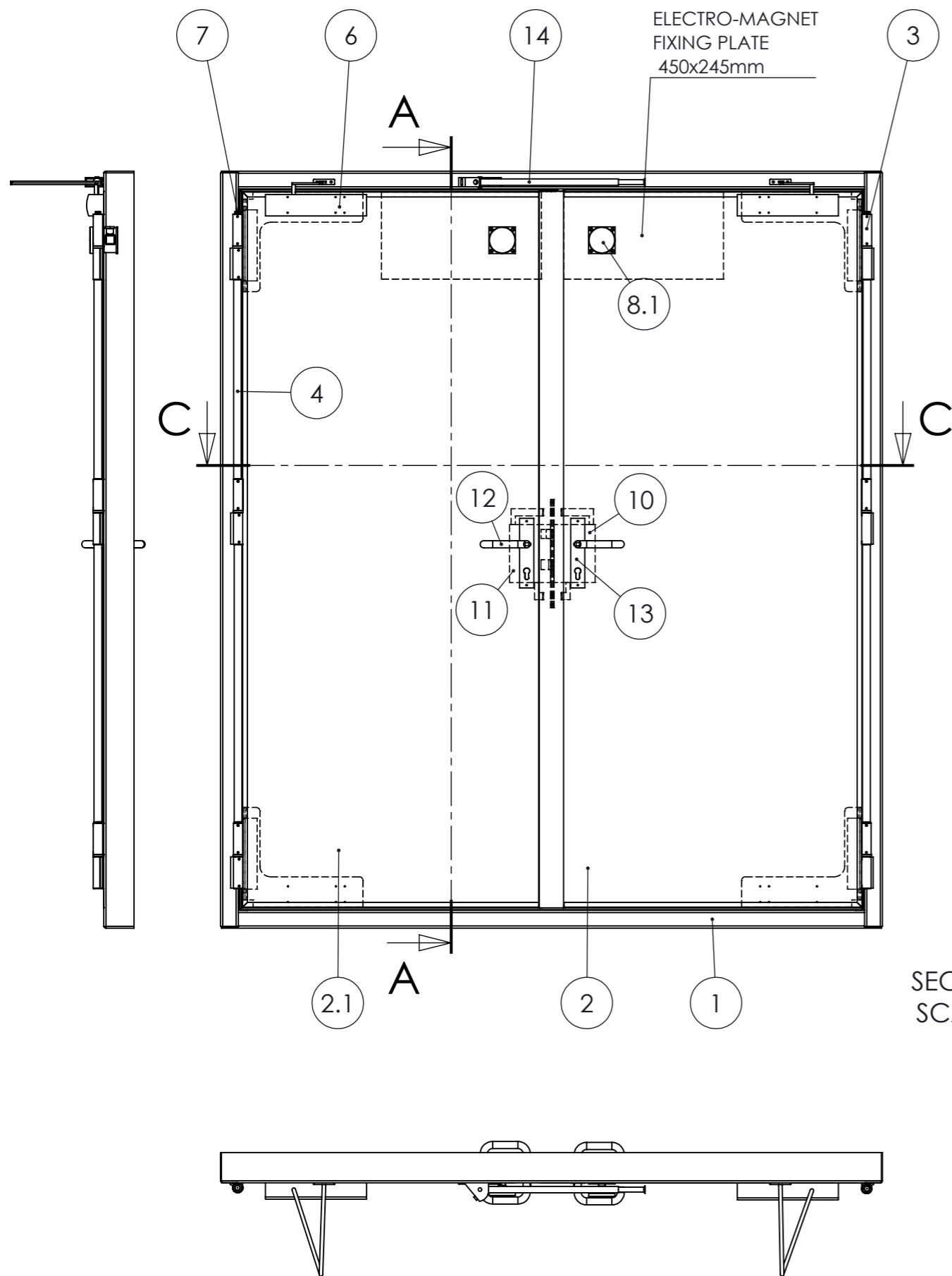


A30/A60 90° M2 DOUBLE OUTSIDE DOOR

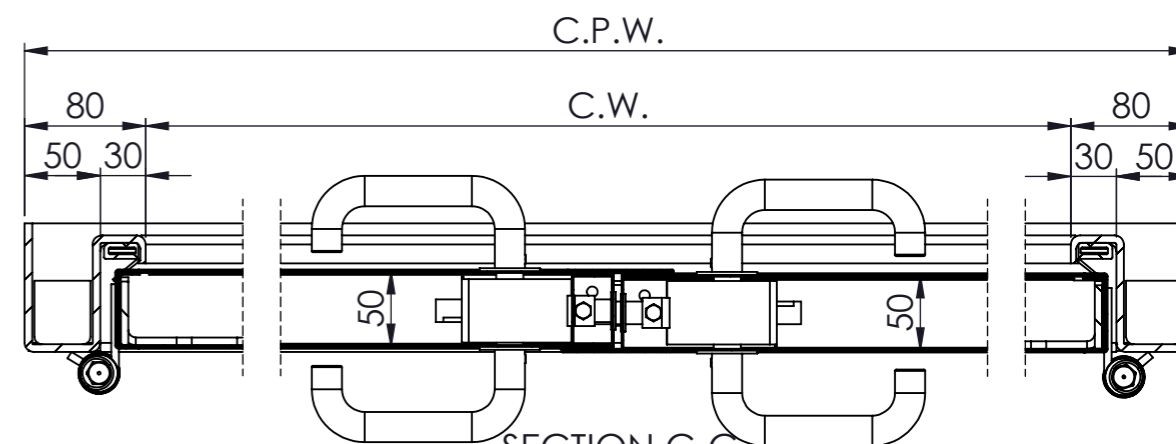
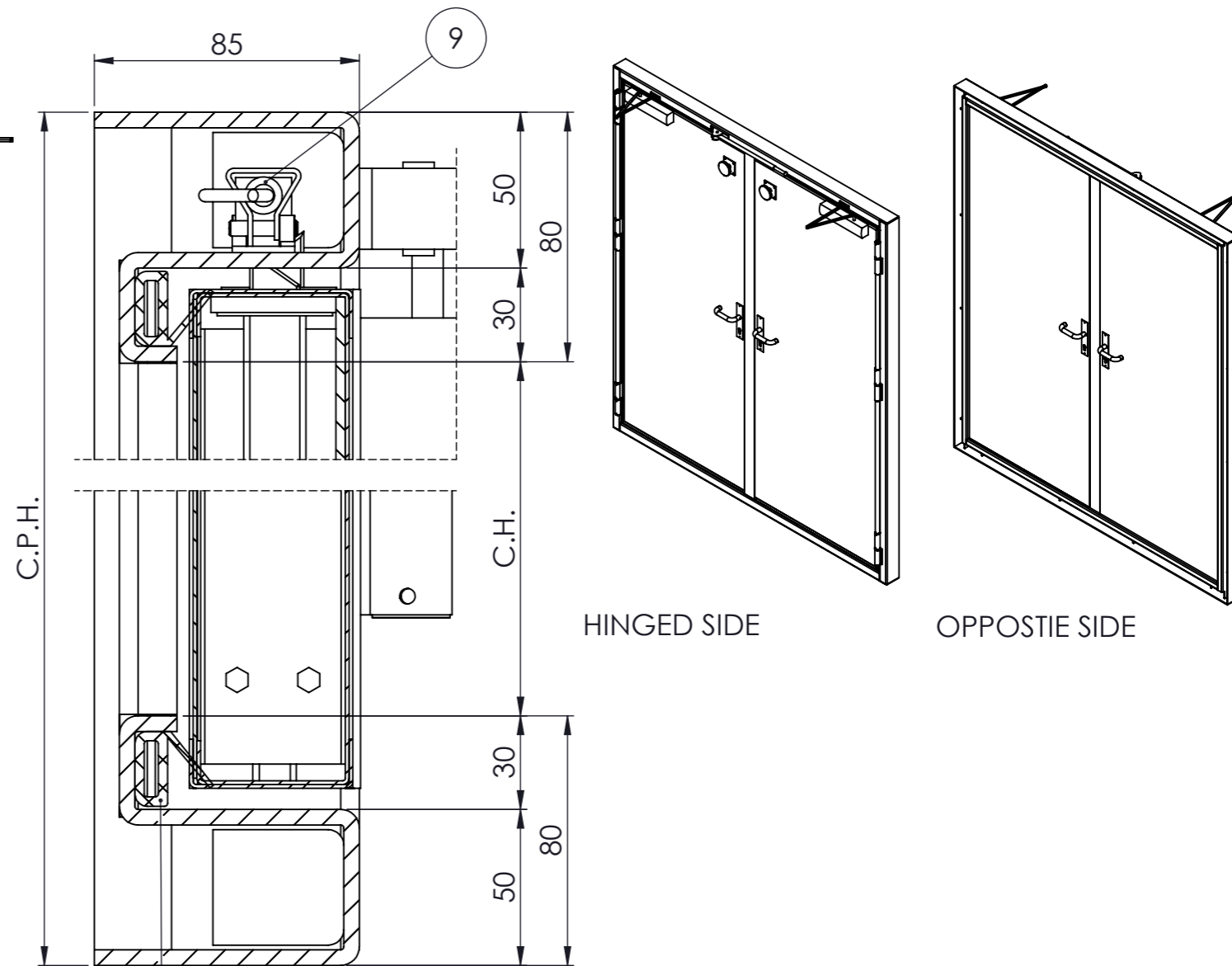


POS	DESCRIPTION	OPTIONAL	CODE	MATERIAL	Q.TY
1	Double door frame 90° R=100		TE2H56A0T00SG	Inox 316	1
2	Primary leaf		AP2H56A0	Inox 316	1
2.1	Secondary leaf		AS2H56A0	Inox 316	1
3	Hinge		TF-0106-01	Inox 316	6
4	Torsion bar	x	TF-0018-01	Inox 316	4
6	Door closer	x	AC-0025-01	Inox 316	2
7	Grease nipple		TF-0045-01	Inox 316	6
8	Electro-magnet	x	AC-0089-01	Galvanized steel	2
8.1	Electro-magnet counterplate	x	AC-0026-01	Galvanized steel	2
9	Proximity switch		AC-0024-01		2
10	Primary leaf lock		AC-0010-01	Inox 304	1
11	secondary leaf lock		AC-0011-01	Inox 316	1
12	Handle kit		AC-0083-01	Inox 316	2
13	Handle plate		AC-0005-01	Inox 316	4
14	Door selector		AC-0027-01	Inox 316	1
15	Gasket		TF-0013-01	Neoprene	1

REV. Alt.	DATA Date	Fruch	DISIGNATO Designed	CONTROLLATO Checked	EMISSIONE	
					DESCRIZIONE/Description	
				COMMITTENTE/Purchaser NAVAL		MATERIALE/Material IN 16
DISEGNO N./Design n. A62H56A0T00M2 90° M2 OUTSIDE DOORS				COMMESSA N./work order n. 001		PESO/weight KG. .. kg
TITOLO/Title A30/A60 90° M2 DOUBLE OUTSIDE DOOR				COSTR. N./Hull C0000		SCALA/scale 1:50
				Raggi N.O. R= -		Smussi N.O. S= -x45°
				FOGLIO/sheet 1		SEGUE/follows 2



SECTION A-A
SCALE 1 : 15



SECTION C-C
SCALE 1 : 5

C.P.H.=CUT IN PLATE HEIGHT
C.H.=CLEAR HEIGHT
C.P.W.=CUT IN PLATE WIDTH
C.W.=CLEAR WIDTH

0.0	15/07/2019	Fruch		EMISSIONE	
REV. Alt.	DATA Date	DISEGNATO Designed	CONTROLLATO Checked	DESCRIZIONE/Description	
			COMMITTENTE/Purchaser		MATERIALE/Material
A62H56A0T00M2 90° M2 OUTSIDE DOORS			NAVAL		IN 16
TITOLO/Title			COMMESSA N./work order n.		PESO/weight
A30/A60 90° M2 DOUBLE OUTSIDE DOOR			001		KG. .. kg
			COSTR. N./Hull		SCALA/scale
			C0000		FORMATO
					1:50
					A3
					Raggi N.O.
					R= -
					Smussi N.O.
					S= -x45°
					FOGLIO/sheet
					2
					SEGUE/follows
					2